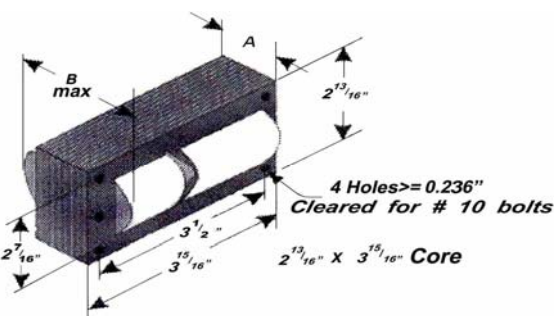
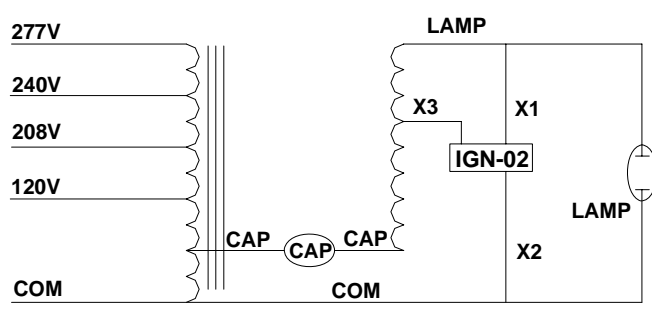
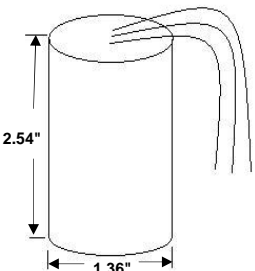
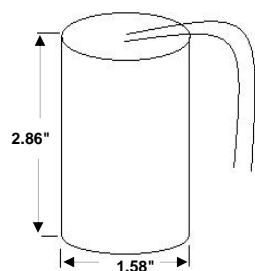


E-BAL-H150-AMT60N-PS	
Ballast Type	<b>Metal Halide</b>
Lamp	<b>150W M102/M142</b>
Circuit Type	<b>Pulse Start HX-HPF</b>
Input Frequency	<b>60HZ</b>

Model No: E-BAL-H150-AMT60N-PS					Capacitor (Required)		
Input Voltage	120	208	240	277	Capacitance	16uF±3%	
Operating Current	3.7	2.1	1.8	1.6	Minimum Volts	280V	
Open Circuit Current	4.3	2.5	2.2	1.9	Dry	Diameter	1.58"
Starting Current	2.5	2.5	2.5	2.5		Height	2.86"
CCF (*ANSI≤1.8)	1.8	1.8	1.8	1.8	Case Max. Temperature		100°C
Short Circuit Current	Secondary	2.5	2.5	2.5	Ignitor (Required)		
	Input	2.2	1.1	1.1	0.8	Ignitor Model	IGN-02
Recommended Fuse	10	5	5	4	Pulse Height(kV)	3.0~4.0	
Input Voltage At Lamp Dropout					Pulse Width (≥u S)	1.0 @ 2.7	
UL 1029 Bench Top Rise	C	C	C	C			
OCV(Min.)	235						
Input Power	185W						
Power Factor	≥90%						
Regulation	Line Volts	±5%					
	Lamp Watts	±10%					
Insulation System	Class H, 180°C						
Ballast Dimension	A	2.4"					
	B	3.8"					
Ballast Net Weight	7.0 lbs						
Leads	12"-Cross Link Polyolefin				Min.Starting Temp.	-20°F / -30°C	

Ballast Dimension	Wiring Diagram
	
Ignitor	Capacitor
	

When Ordering, add suffix for options:

D - with distributor replacement kit (include bracket, capacitor and ignitor as necessary)

Specifications are subject to change without notice.