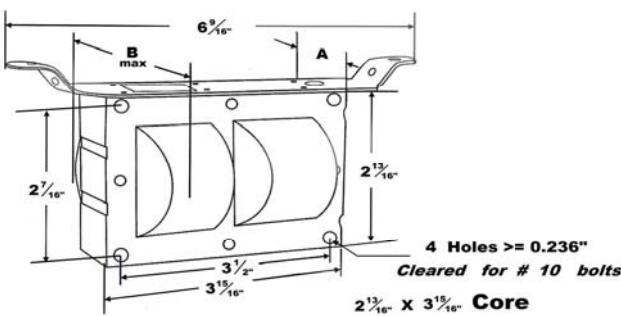
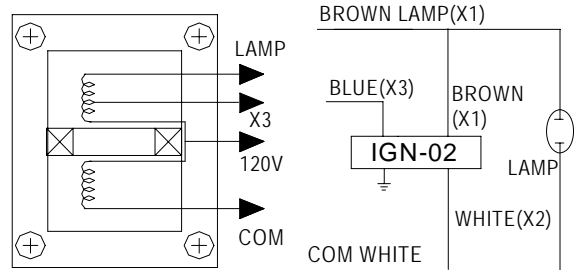
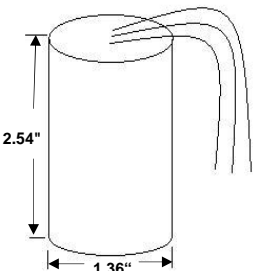


E-BAL-H70-A0160N	
Ballast Type	Metal Halide
Lamp	70W M98
Circuit Type	HX-NPF
Input Frequency	60HZ

Model_No:	E-BAL-H70-A0160N			Capacitor (Not Required)	
Input Voltage	120			Capacitance	
Operating Current	2.6			Minimum Volts	
Open Circuit Current	0.70			Dry	Diameter
Starting Current	1.19				Height
CCF (*ANSI≤1.8)	1.8			Case Max. Temperature	
Short Circuit Current	Secondary	1.19		Ignitor (Required)	
	Input	3.52		Ignitor Model	IGN-02
Recommended Fuse	6			Pulse Height(kV)	3.0~4.0
Input Voltage At Lamp Dropout				Pulse Width (≥u S)	1.0 @ 2.7
UL 1029 Bench Top Rise	B				
	OCV(Min.)	230			
	Input Power	94 W			
	Power Factor	0.3-0.5			
Regulation	Line Volts	±5%			
	Lamp Watts	±10%			
Insulation System	Class H, 180°C				
Ballast Dimension	A	1.3"			
	B	2.6"			
Ballast Net Weight	4.0 lbs				
Leads	12"-Cross Link Polyolefin			Min.Starting Temp.	-20°F / -30°C

Ballast Dimension	Wiring Diagram
 <p>Ballast Dimension</p> <p>4 Holes $\geq 0.236"$ Cleared for # 10 bolts</p> <p>$2\frac{1}{16}" \times 3\frac{1}{16}"$ Core</p>	 <p>Wiring Diagram</p> <p>BROWN LAMP(X1)</p> <p>BLUE(X3)</p> <p>BROWN (X1)</p> <p>IGN-02</p> <p>LAMP</p> <p>COM WHITE</p> <p>WHITE(X2)</p>
 <p>Ignitor</p> <p>2.54"</p> <p>1.36"</p>	

When Ordering, add suffix for options:

D - with distributor replacement kit (include bracket, capacitor and ignitor as necessary)

Specifications are subject to change without notice.

IPP International Power Product

515 S.Yorbita Road

City of Industry, CA 91744

Toll Free: 1-888-539-5586