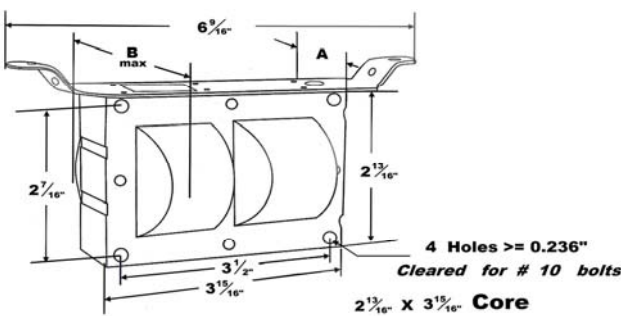
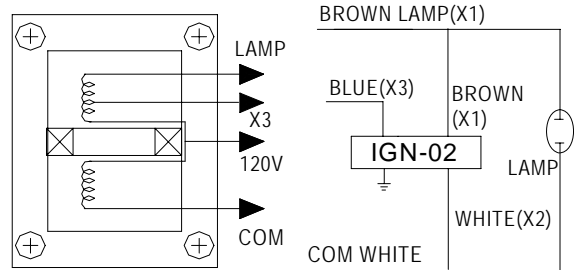
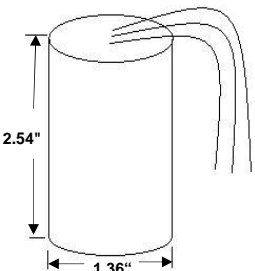


E-BAL-H100-A0160N	
Ballast Type	Metal Halide
Lamp	100W M90
Circuit Type	HX-NPF
Input Frequency	60HZ

Model_No:	E-BAL-H100-A0160N			Capacitor (Not Required)	
Input Voltage	120			Capacitance	
Operating Current	2.9			Minimum Volts	
Open Circuit Current	0.67			Dry	Diameter
Starting Current	1.46				Height
CCF (*ANSI≤1.8)	1.8			Case Max. Temperature	
Short Circuit Current	Secondary	1.46			
	Input	4.17			
Recommended Fuse	6			Ignitor (Required)	
Input Voltage At Lamp Dropout				Ignitor Model	IGN-02
UL 1029 Bench Top Rise	A			Pulse Height(kV)	3.0~4.0
	OCV(Min.)	250		Pulse Width (≥u S)	1.0 @ 2.7
	Input Power	118W			
	Power Factor	0.3-0.5			
Regulation	Line Volts	±5%			
	Lamp Watts	±10%			
Insulation System	Class H, 180°C				
Ballast Dimension	A	1.3"			
	B	2.6"			
Ballast Net Weight	4.6 lbs				
Leads	12"-Cross Link Polyolefin			Min.Starting Temp.	-20°F / -30°C

Ballast Dimension	Wiring Diagram
	
<p>Ignitor</p> 	

When Ordering, add suffix for options:

D - with distributor replacement kit (include bracket, capacitor and ignitor as necessary)

Specifications are subject to change without notice.