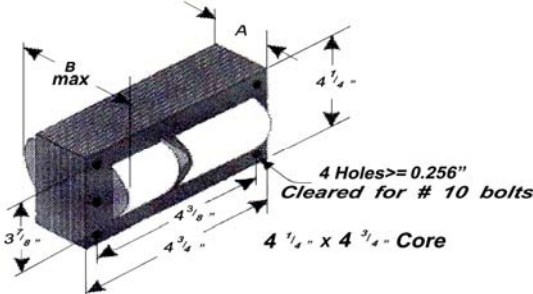
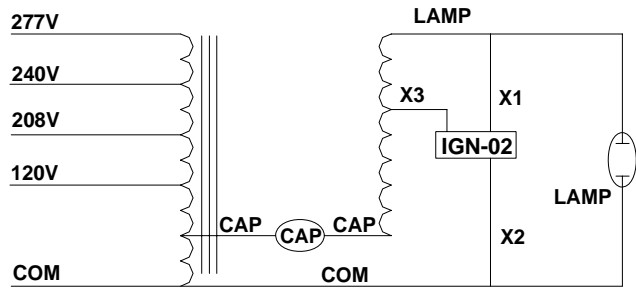
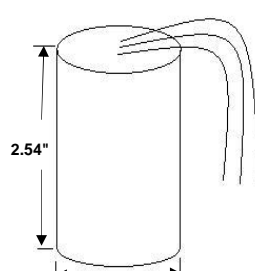
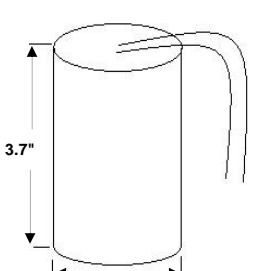


E-BAL-S040M4	
Ballast Type	High Pressure Sodium
Lamp	400W S51
Circuit Type	CWA
Input Frequency	60HZ

Model No: E-BAL-S040M4						Capacitor (Required)		
Input Voltage		120	208	240	277	Capacitance	55uF±3%	
Operating Current		3.8	2.2	1.9	1.7	Minimum Volts	240V	
Open Circuit Current		2.4	1.5	1.2	1.0	Dry	Diameter	1.77"
Starting Current		6.4	6.4	6.4	6.4		Height	3.7"
CCF (*ANSI≤1.8)		1.8	1.8	1.8	1.8	Case Max. Temperature		100°C
Short Circuit Current	Secondary	6.4	6.4	6.4	6.4	Ignitor (Required)		
	Input	3.6	2.1	1.8	1.6	Ignitor Model	IGN-02	
Recommended Fuse		10	8	5	5	Pulse Height(kV)	2.5~4.0	
Input Voltage At Lamp Dropout						Pulse Width (≥u S)	1us @ 2250V	
UL 1029 Bench Top Rise		D	D	C	D			
	OCV(Min.)	198						
	Input Power	464W						
	Power Factor	≥90%						
Regulation	Line Volts	±10%						
	Lamp Watts	±10%						
Insulation System		Class H, 180°C						
Ballast Dimension	A	2.33"						
	B	4.26"						
Ballast Net Weight		14.3 lbs						
Leads		12"-Cross Link Polyolefin				Min.Starting Temp.	-20°F / -30°C	

Ballast Dimension	Wiring Diagram
	
<p>Ignitor</p> 	<p>Capacitor</p> 

When Ordering, add suffix for options:

D - with distributor replacement kit (include bracket, capacitor and ignitor as necessary)

Specifications are subject to change without notice.