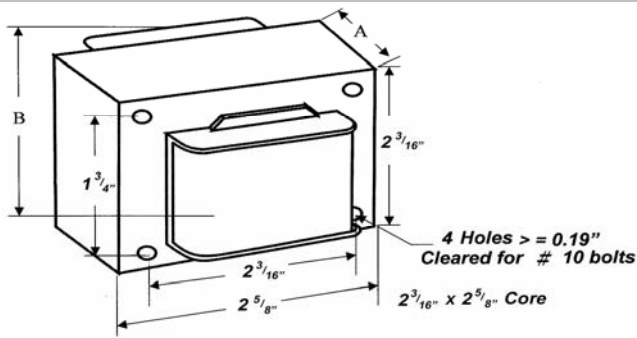
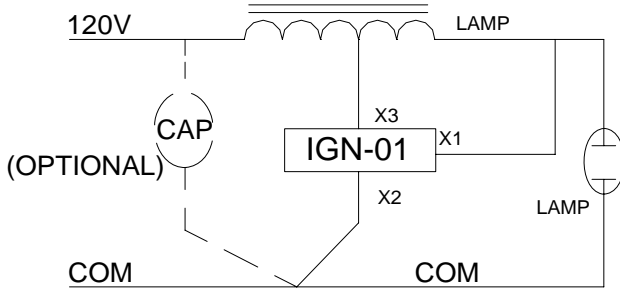
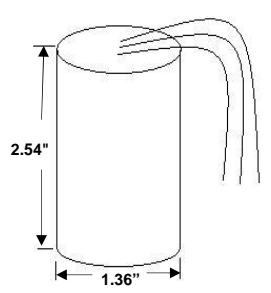


E-BAL-S015S	
Ballast Type	High Pressure Sodium
Lamp	150W S55
Circuit Type	R-NPF
Input Frequency	60HZ

Model_No:	E-BAL-S015S			Capacitor (Not Required)	
Input Voltage	120			Capacitance	
Operating Current	4.5			Minimum Volts	
Open Circuit Current	5.13			Dry	Diameter
Starting Current	5.3				Height
CCF (*ANSI≤1.8)	1.8			Case Max. Temperature	
Short Circuit Current	Secondary	5.3			
	Input	5.13			
Recommended Fuse	15			Ignitor (Required)	
Input Voltage At Lamp Dropout				Ignitor Model	IGN-01
UL 1029 Bench Top Rise	A			Pulse Height(kV)	2.5~4.0
	OCV(Min.)	110		Pulse Width (≥u S)	1us@ 2250V
	Input Power	170W			
	Power Factor	0.3-0.5			
Regulation	Line Volts	±5%			
	Lamp Watts	±10%			
Insulation System	Class H, 180°C				
Ballast Dimension	A	1.97"			
Ballast Net Weight	3.4 lbs				
Leads	12"-Cross Link Polyolefin			Min.Starting Temp.	-20°F / -30°C

Ballast Dimension	Wiring Diagram
	
<p>Ignitor</p> 	

When Ordering, add suffix for options:

D - with distributor replacement kit (include bracket, capacitor and ignitor as necessary)

Specifications are subject to change without notice.

IPP International Power Product

515 S.Yorbita Road

City of Industry, CA 91744

Toll Free: 1-888-539-5586