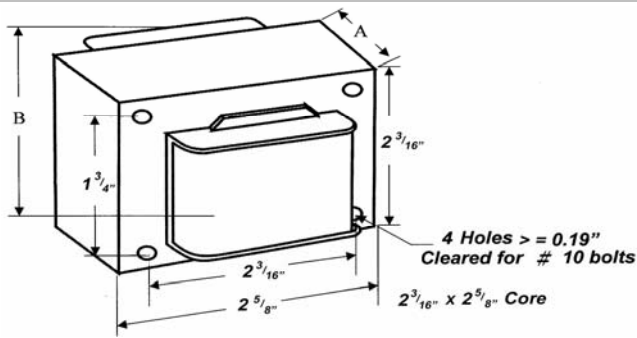
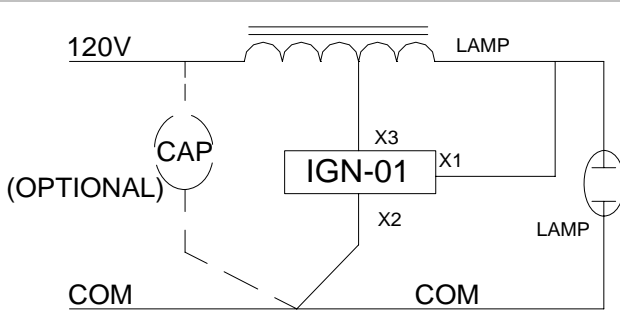
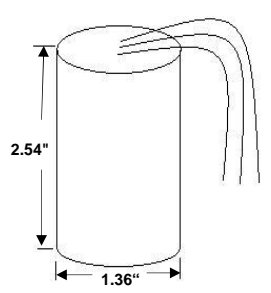


E-BAL-S010S	
Ballast Type	High Pressure Sodium
Lamp	100W S54
Circuit Type	R-NPF
Input Frequency	60HZ

Model No:	E-BAL-S010S			Capacitor (Not Required)	
Input Voltage	120			Capacitance	
Operating Current	3.1			Minimum Volts	
Open Circuit Current	3.41			Dry	Diameter
Starting Current	3.2				Height
CCF (*ANSI≤1.8)	1.8			Case Max. Temperature	
Short Circuit Current	Secondary	3.2		Ignitor (Required)	
	Input	3.41		Ignitor Model	IGN-01
Recommended Fuse	10			Pulse Height(kV)	2.5~4.0
Input Voltage At Lamp Dropout				Pulse Width (≥u S)	1us@ 2250V
UL 1029 Bench Top Rise	A				
	OCV(Min.)	110			
	Input Power	115W			
	Power Factor	0.3-0.5			
Regulation	Line Volts	±5%			
	Lamp Watts	±10%			
Insulation System	Class H, 180°C				
Ballast Dimension	A	1.42"			
	B	2.7"			
Ballast Net Weight	2.5 lbs				
Leads	12"-Cross Link Polyolefin			Min.Starting Temp.	-20°F / -30°C

Ballast Dimension	Wiring Diagram
	
<p>Ignitor</p> 	

When Ordering, add suffix for options:

D - with distributor replacement kit (include bracket, capacitor and ignitor as necessary)

Specifications are subject to change without notice.