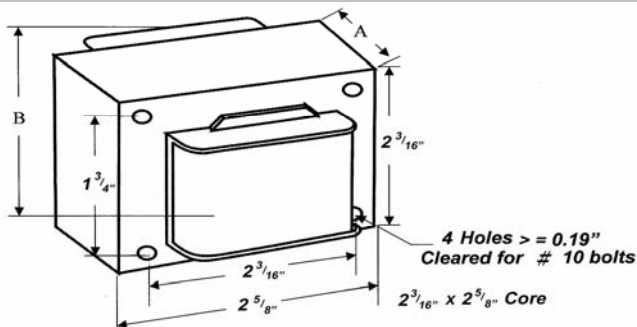
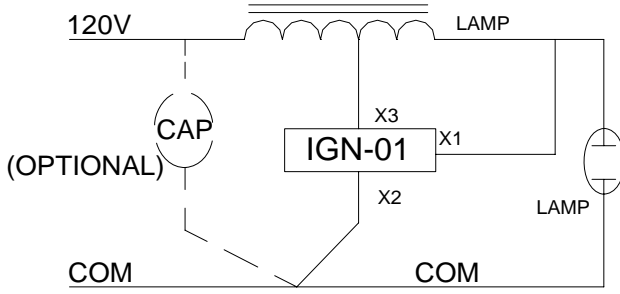
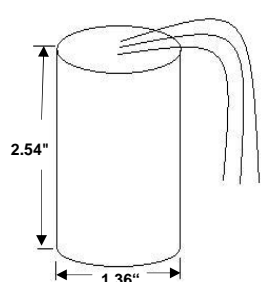


E-BAL-S005S	
Ballast Type	High Pressure Sodium
Lamp	50W S68
Circuit Type	R-NPF
Input Frequency	60HZ

Model No:	E-BAL-S005S		Capacitor (Not Required)	
Input Voltage	120		Capacitance	
Operating Current	1.8		Minimum Volts	
Open Circuit Current	1.78		Dry	Diameter
Starting Current	1.85			Height
CCF (*ANSI≤1.8)	1.8		Case Max. Temperature	
Short Circuit Current	Secondary	1.85		
	Input	1.78		
Recommended Fuse	5			
Input Voltage At Lamp Dropout				
UL 1029 Bench Top Rise	A		Ignitor (Required)	
OCV(Min.)	110		Ignitor Model	IGN-01
Input Power	62W		Pulse Height(kV)	2.5~4.0
Power Factor	0.3-0.5		Pulse Width (≥u S)	1us@ 2250V
Regulation	Line Volts	±5%		
	Lamp Watts	±10%		
Insulation System	Class H, 180°C			
Ballast Dimension	A	0.79"		
	B	1.9"		
Ballast Net Weight	1.7 lbs			
Leads	12"-Cross Link Polyolefin		Min.Starting Temp.	-20°F / -30°C

<p>Ballast Dimension</p>  <p>4 Holes $\geq 0.19"$ Cleared for # 10 bolts</p>	<p>Wiring Diagram</p> 
<p>Ignitor</p> 	

When Ordering, add suffix for options:

D - with distributor replacement kit (include bracket, capacitor and ignitor as necessary)

Specifications are subject to change without notice.