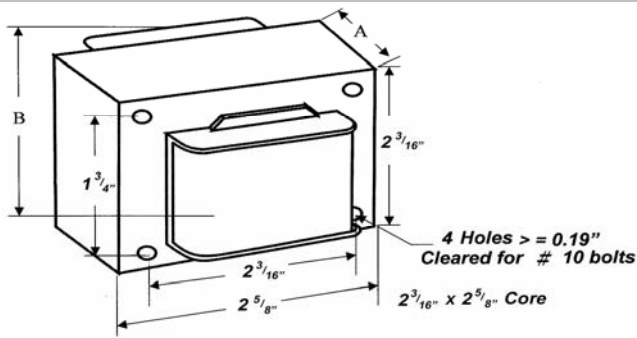
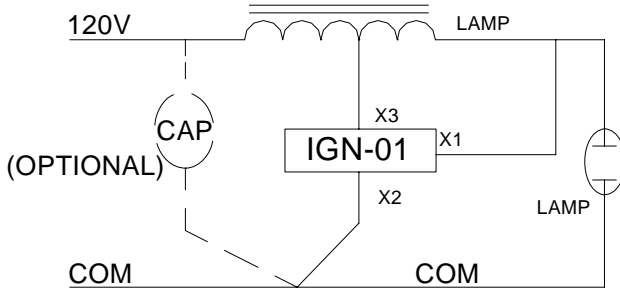
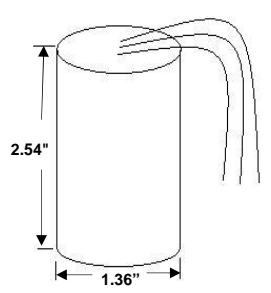


E-BAL-S003S	
Ballast Type	High Pressure Sodium
Lamp	35W S76
Circuit Type	R-NPF
Input Frequency	60HZ

Model No:	E-BAL-S003S			Capacitor (Not Required)	
Input Voltage	120			Capacitance	
Operating Current	1.4			Minimum Volts	
Open Circuit Current	1.4			Dry	Diameter
Starting Current	1.4				Height
CCF (*ANSI≤1.8)	1.8			Case Max. Temperature	
Short Circuit Current	Secondary	1.4			
	Input	1.4			
Recommended Fuse	3			Ignitor (Required)	
Input Voltage At Lamp Dropout				Ignitor Model	IGN-01
UL 1029 Bench Top Rise	A			Pulse Height(kV)	2.5~4.0
OCV(Min.)	110			Pulse Width (≥u S)	1us@ 2250V
Input Power	46W				
Power Factor	0.3-0.5				
Regulation	Line Volts	±5%			
	Lamp Watts	±10%			
Insulation System	Class H, 180°C				
Ballast Dimension	A	0.6"			
	B	1.7"			
Ballast Net Weight	1.4 lbs				
Leads	12"-Cross Link Polyolefin			Min.Starting Temp.	-20°F / -30°C

Ballast Dimension	Wiring Diagram
	
<p>Ignitor</p> 	

When Ordering, add suffix for options:

D - with distributor replacement kit (include bracket, capacitor and ignitor as necessary)

Specifications are subject to change without notice.